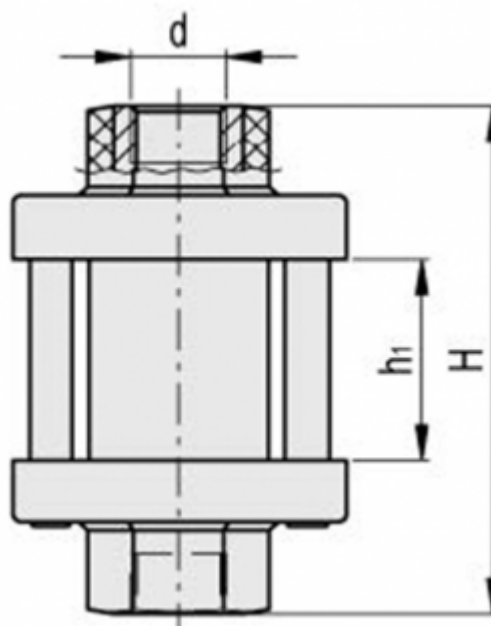
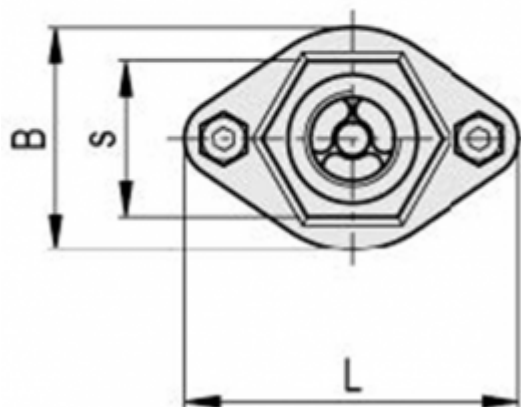


Article number: 231111326

Description: E+G Visuel flow indicators HVF.92-SST-1/2 NPT

## Measures

HVF. (66 - 92)  
HVF-SST (66 - 92)



B	= 40
d	= 1/2
H	= 92
h1	= 36
L	= 60
s	= 28
Weight in (g)	= 167